

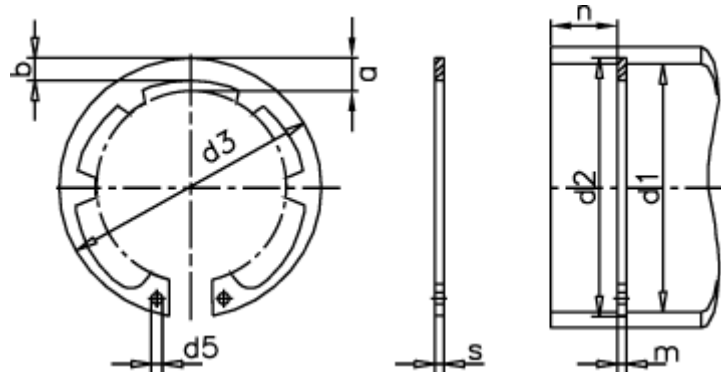
# Data Sheet



Article number: 0108087

Description: Retaining ring JK 80 DIN 984

## Measures



a max	= 10.2	FN kN	= 74.6	s	= 2.50
AN mm <sup>2</sup>	= 448.0	FRg kN	= 21.8	t	= 1.75
b	= 7.0	FR kN	= 120.0	tol	= +0,35
d1	= 80	g	= 2.5	tol	= -0.07
d2	= 83.5	K kN-mm	= 219.0	tol	= +1,30-0,54
d3	= 85.5	m min	= 2.65	Tong	= ZGJ-3
d5 min	= 3.0	Nominal drive	= 5.3	Weight kg/1000	= 25.00
Description	= JK 80	Number of serrations	= 8		